

Stoneridge, Inc., Control Devices Division

Linear Latch Release Actuator

Technology

The Stoneridge motorized linear actuator is the perfect solution when replacing manual cable latch release systems with an electrified release. The slim design actuator can be placed near latch points allowing for remote activation within the vehicle.



Typical Applications

- Door Latch Release
- Park Brake Release
- Lift Gate / Lift Glass Release
- Power Folding Seat Release
- Retractable Hardtop Release
- Decklid / Trunk Release
- Door Lock/Unlock

Features / Benefits

- Field proven - over 1 million units in operation
- Versatile design configuration
- Fully automated manufacturing
- Water resistant design
- Fast actuating
- See table for different force options
- Direct Drive & Clutched versions available

Typical Specifications (Custom configurations available)

Stroke Length (mm):	28-31	Back Drive Force:	2.-8N - Clutched 8-18N - Direct Drive
Output Stall Force :	35N min (8.4V, 25°C.)	Cycle Time:	50 to 300 ms
Operating Voltage:	8.4 to 16.0 VDC	Operating Temp.	-40°C to +85°C
Stall Current:	5A Max	Rated life	100K cycles - Std & High Force 25K cycles - Super Force
Mass:	100g (without bracket)		

CONTACT US:

Stoneridge Inc.
Control Devices Division
300 Dan Road
Canton, MA 02021 USA
Tel: 781-830-0340

North America Sales:

Stoneridge Inc.
28001 Cabot Drive
Suite 100
Novi, MI 48377 USA
Tel: 248-489-9300

European Sales:

Stoneridge GmbH
Paradiesweg 11
73733 Esslingen, Germany
Tel: +49 711 9933820

Asia-Pacific Sales:

Stoneridge Asia Pacific
Electronics (Suzhou) Co., Ltd.
Shanghai Branch
Room 805 INNOV Tower
1801 Hongmei Road,
Xuhui District, Shanghai
200233
P.R. China
Tel: +86 21 3395 0304
Fax: +86 21 3395 0387

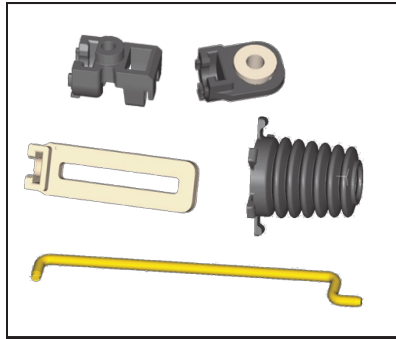
Stoneridge Korea

#807 Hangang Posville
33-1, Dangsandong-5ga
Yeongdungpo-gu, Seoul
150-045 Korea
Tel: +82-2-2633-0672
Fax: +82-2-2633-0673

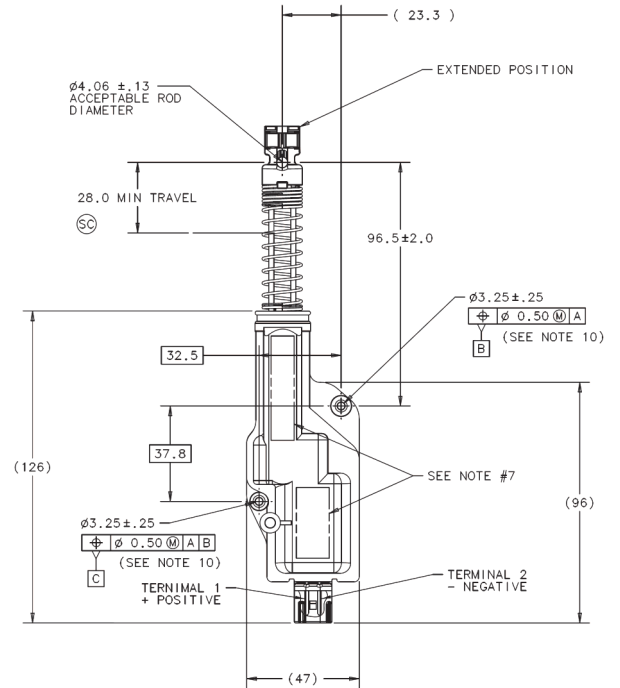
Stoneridge Japan

3-21-2 Helios Kannai Bld.
4F Motohama-cho,
Yokohama city, Kanagawa
Japan 231-0004
Tel: +81(0) 45-222-8317
FAX: +81(0) 45-222-8283

Typical Dimensions



Stoneridge actuators can be paired with a variety of end effectors, brackets, rods and other fittings to match the needs of your application.



Voltage (VDC)	Temp. (°C)	Min Force* (N)	Max. Current (A)
Standard Force			
8.4	85 ± 3	27	5
12.6	20 ± 6	45	6
16	-40 ± 3	50	10
High Force			
8.4	85 ± 3	30	8
12.6	20 ± 6	60	9
16	-40 ± 3	75	12
Super Force			
8.4	85 ± 3	40	8
12.6	20 ± 6	70	9
16	-40 ± 3	90	12

* - Minimum output force can be up to 20% higher

Stoneridge is an independent designer and manufacturer of highly engineered electrical and electronic components, modules and systems principally for the automotive, light/medium/heavy-duty truck, agricultural and off-highway vehicle markets. Our products provide engineered solutions that improve the efficiency and performance of electric and electronic systems.

The **Control Devices Group** focuses on products that sense, switch and control a specific function. Our key technologies include:

- Electromechanical Actuators
- Customer Actuated Switches
- Connectors
- Solenoid Coil Valves
- Powertrain Switches and Sensors
- Pressure Switches and Sensors
- Speed Sensors
- Temperature Sensors
- Position Sensors
- Torque Sensors